

Version	2.0	Date	8/9/18
Prepared By	JC		

PRODUCT SPECIFICATION

Category	Slim Wall Pack
Item Number	7463
Stock Code	LED-FXSWP15/50K/BK
Mounting	Wall Mount
Housing Color	Black



ELECTRICAL CHARACTERISTICS			
Rated Wattage (W)	15	Replacement Wattage (W)	75
Tested Wattage (W)	14.569		
Input Voltage (V)	120-277V	Surge Protect Level	2KV
Voltage Frequency (Hz)	50/60	Dimmable	-
Input Current (A)	0.25	AUX (12V) Line	-
Power Factor	>0.9		
THD	<20%		

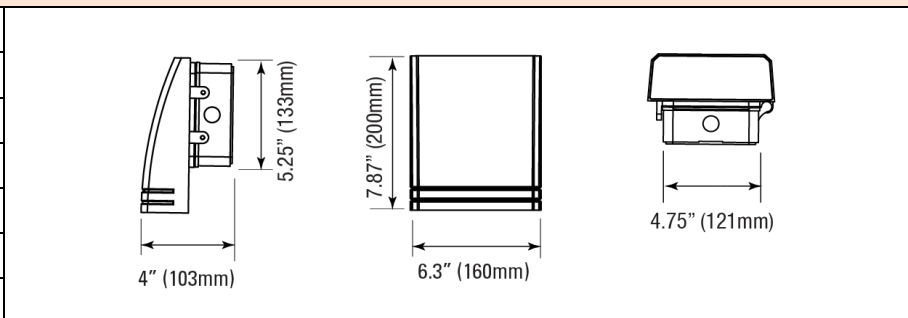
PHOTOMETRIC CHARACTERISTICS			
Lumen (lm)	1,797	CCT (K)	5000K
Efficacy (lm/w)	123	Beam Angle (°)	110°
CRI	>70		

GENERAL CHARACTERISTICS	
Operating Temperature (°F)	-22°F ~ 122°F
Storage Temperature (°F)	-40°F ~ 158°F
IP Rating	IP65
Rated Life (Hrs)	50,000
Warranty (Yrs)	5

ACCESSORIES		
Item #	Stock Code	Description
P10036	SEN-PHO-BT-MT/MV	Photocell

PRODUCT DIMENSIONS

Width- in / (mm)	6.30"	160
Height- in / (mm)	7.87"	200
Depth- in / (mm)	4"	103
EPA (ft²)	-	
Weight (lbs)	3.9	
Mounting Height (ft)	-	
Cable Length (ft)	-	



CERTIFICATIONS			
UL/ETL	UL	CEC	
NSF/ETL Sanitation		JA8	
Energy Star		FCC	✓
DLC		RoHs	✓

DOCUMENTS			
LM79	✓	IES File	✓
LM80	✓	Dimmer List	

COMMENTS

--